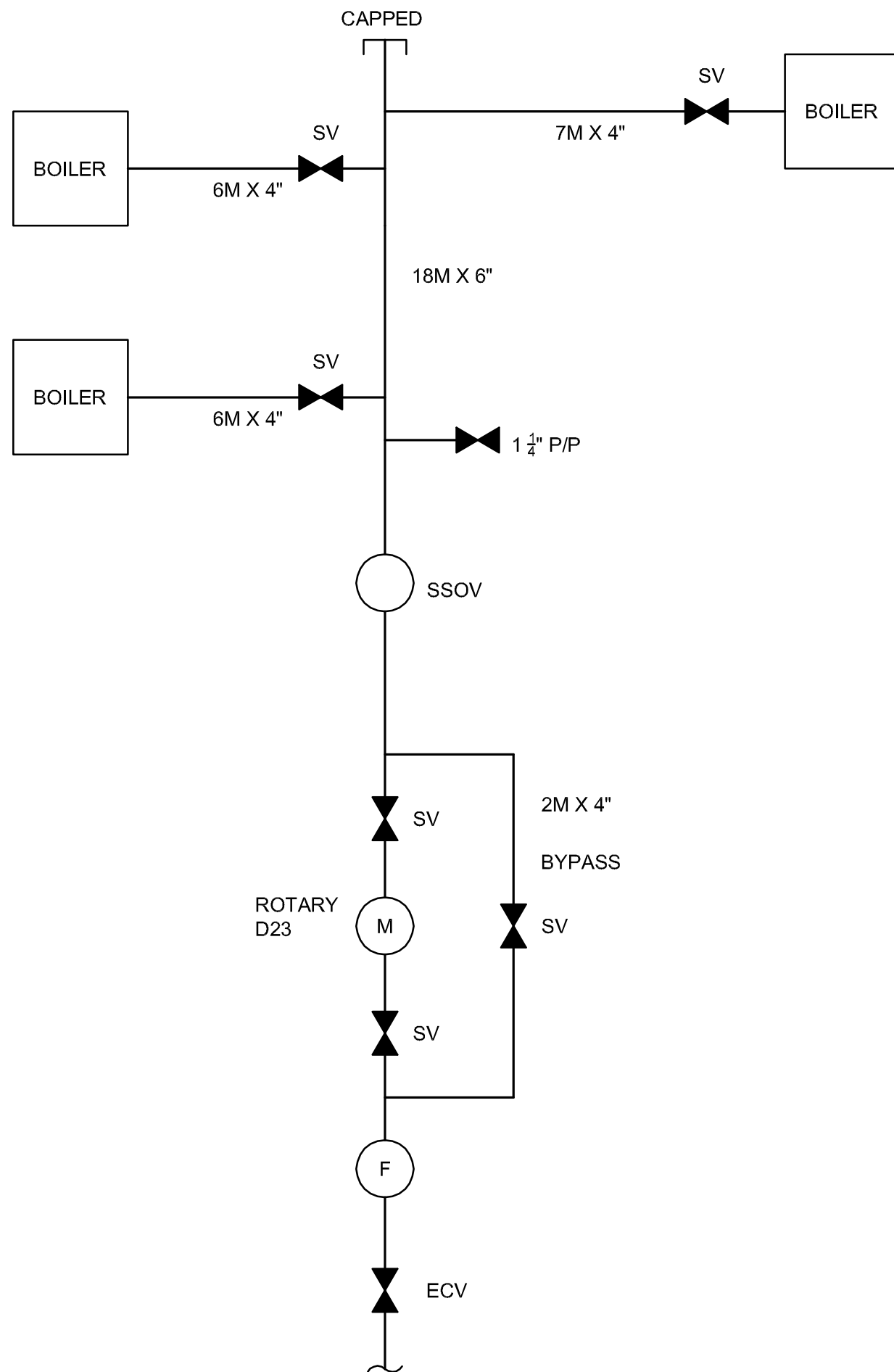
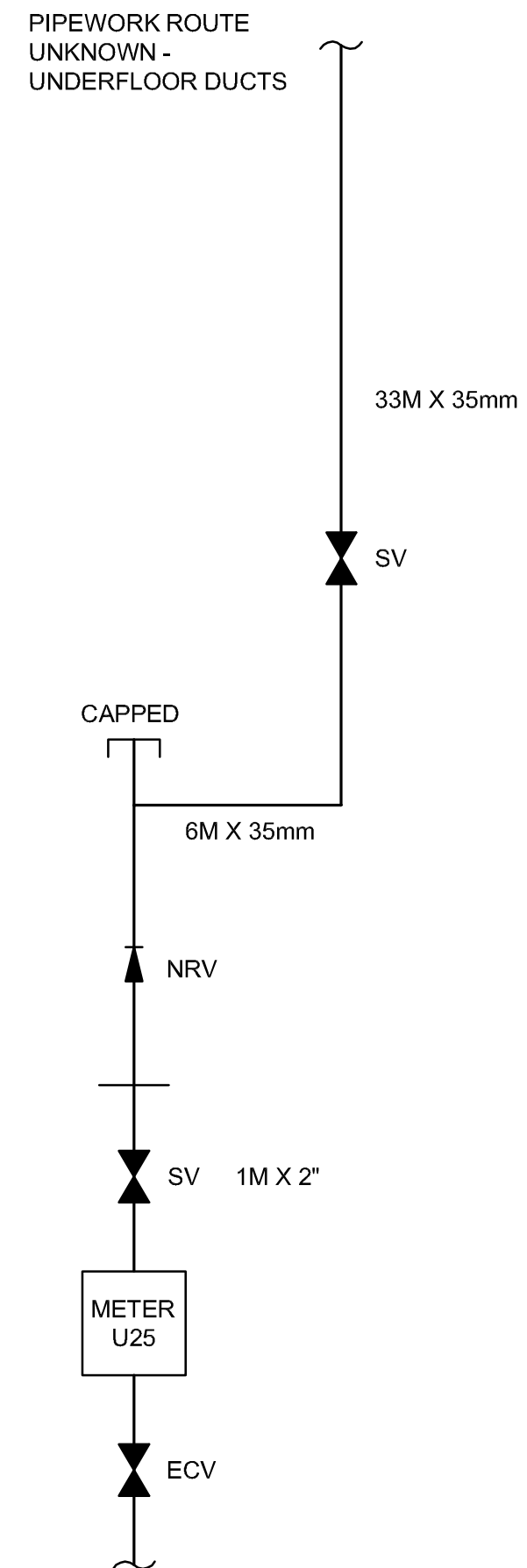


**INSTALLATION NOT IN USE**



**INSTALLATION NOT IN USE**



**COPYRIGHT NOTICE**  
THIS DRAWING MAY NOT BE COPIED (IN WHOLE OR IN PART),  
RETAINED OR DISCLOSED WITHOUT THE PRIOR WRITTEN  
CONSENT OF CINNABAR

**DONOT SCALE**  
NO DIMENSIONS SHOULD BE SCALED FROM THIS DRAWING.  
CONTRACTORS MUST VERIFY ALL DIMENSIONS BEFORE  
STARTING WORK AND ANY DISCREPANCIES ARE TO BE  
REPORTED TO CINNABAR

**LEGEND**

- ECV - EMERGENCY CONTROL VALVE
- SSOV - SAFETY SHUT OFF VALVE
- NRV - NON RETURN VALVE
- SV - SERVICE VALVE
- PP - PURGE POINT
- M - GAS METER
- F - FILTER

REVISIONS



8 : White St : Kibworth Beauchamp :  
Leicestershire : LE8 0JG  
E : theoffice@cinnabar-cad.co.uk  
W : www.cinnabar-cad.co.uk  
T : 0116 2796605 M : 07808 732119

CLIENT	A CLIENT	
BUILDING	A BUILDING AN ADDRESS AN ADDRESS A COUNTY AB12 3CD	
FLOOR	A FLOOR	
DRAWING TITLE	EXAMPLE GAS LINE SCHEMATIC 2	
SCALE @ A1:	NTS	DATE:
DRAWN BY:	GRW	PROJECT NO:
DRAWING NO:	SCH DWG 5	REVISION DATE: REV: