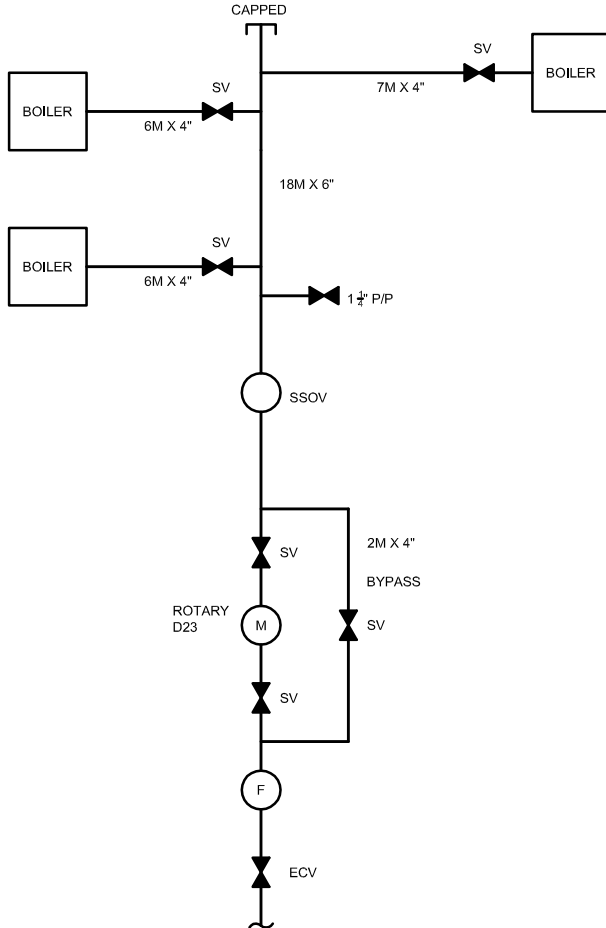
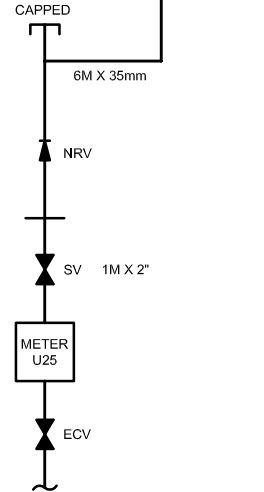


**INSTALLATION NOT IN USE**



**INSTALLATION NOT IN USE**

PIPEWORK ROUTE  
UNKNOWN -  
UNDERFLOOR DUCTS



**Copyright © 2014**  
THE DRAWING IS THE PROPERTY OF CINNEBAR. IT IS NOT TO BE REPRODUCED OR TRANSMITTED IN ANY FORM OR BY ANY MEANS, ELECTRONIC OR MECHANICAL, INCLUDING PHOTOCOPYING, RECORDING, OR BY ANY INFORMATION STORAGE AND RETRIEVAL SYSTEM, WITHOUT THE WRITTEN PERMISSION OF CINNEBAR.  
**NOT TO BE USED FOR CONSTRUCTION**  
NO CONSTRUCTION SHOULD BE UNDERTAKEN FROM THE DRAWING. CONSTRUCTION MUST BE IN ACCORDANCE WITH THE SPECIFICATIONS STATED THEREIN. ANY DEVIATION FROM THESE SPECIFICATIONS IS AT THE USER'S RISK AND IS NOT THE RESPONSIBILITY OF CINNEBAR.

**LEGEND**

- ECV - EMERGENCY CONTROL VALVE
- SSOV - SAFETY SHUT OFF VALVE
- NRV - NON RETURN VALVE
- SV - SERVICE VALVE
- PP - PURGE POINT
- M - GAS METER
- F - FILTER

**Cinnebar**  
8 : White St : Kibworth Beauchamp :  
Leicestershire : LE8 0AG  
E : theoffice@cinnebar.co.uk  
W : www.cinnebar.co.uk  
T : 0116 2786805 M : 07908 732119

CLIENT	A CLIENT	
PROJECT	A BUILDING AN ADDRESS AN ADDRESS A COUNTY AB12 3CD	
FLOOR	A FLOOR	
DRAWING TITLE	EXAMPLE GAS LINE SCHEMATIC 2	
DRAWN BY: NTS	DATE:	
CHECKED BY: GRW	PROJECT NO:	
DRAWING NO: SCH DWG 5	ISSUE DATE:	REV: