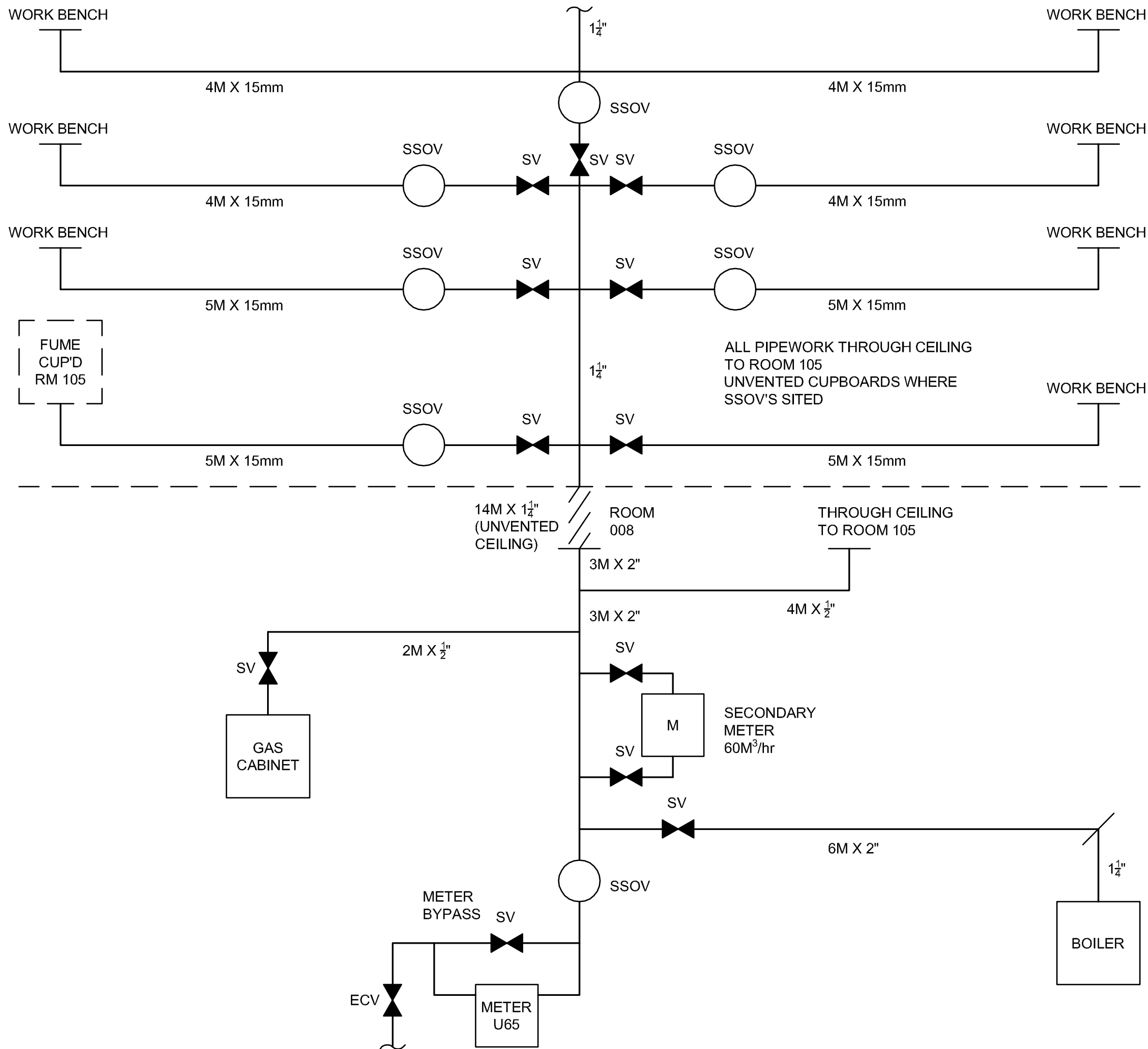


COPYRIGHT NOTICE
 THIS DRAWING MAY NOT BE COPIED (IN WHOLE OR IN PART),
 RETAINED OR DISCLOSED WITHOUT THE PRIOR WRITTEN
 CONSENT OF CINNABAR

DO NOT SCALE
 NO DIMENSIONS SHOULD BE SCALED FROM THIS DRAWING.
 CONTRACTORS MUST VERIFY ALL DIMENSIONS BEFORE
 STARTING WORK AND ANY DISCREPANCIES ARE TO BE
 REPORTED TO CINNABAR

LEGEND

- ECV - EMERGENCY CONTROL VALVE
- SSOV - SAFETY SHUT OFF VALVE
- SV - SERVICE VALVE



REVISIONS



Cinnabar
 8 : White St : Kibworth Beauchamp :
 Leicestershire : LE8 0JG
 E : theoffice@cinnabar-cad.co.uk
 W : www.cinnabar-cad.co.uk
 T : 0116 2796605 M : 07808 732119

CLIENT	A CLIENT	
BUILDING	A BUILDING AN ADDRESS AN ADDRESS A COUNTY AB12 3CD	
FLOOR	A FLOOR	
DRAWING TITLE	EXAMPLE GAS LINE SCHEMATIC	
SCALE @ A1:	NTS	DATE:
DRAWN BY:	GRW	PROJECT NO:
DRAWING NO:	SCH DWG 4	REVISION DATE: REV: