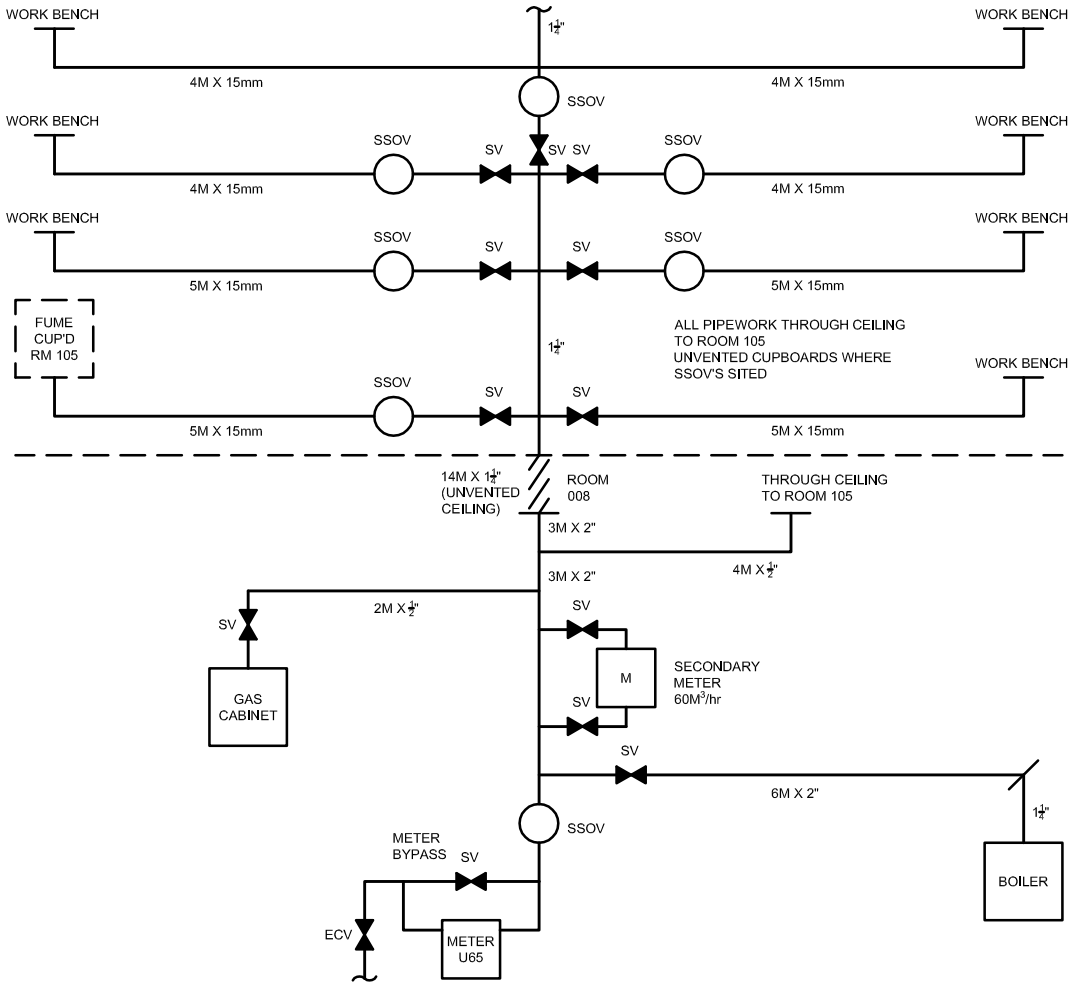


**Copyright © 2014**  
 THE COMPANY AND ITS PROJECTS ARE PROTECTED BY PATENT AND/OR TRADE MARKS. NO PART OF THIS DOCUMENT IS TO BE REPRODUCED OR TRANSMITTED IN ANY FORM OR BY ANY MEANS, ELECTRONIC OR MECHANICAL, INCLUDING PHOTOCOPYING, RECORDING, OR BY ANY INFORMATION STORAGE AND RETRIEVAL SYSTEM, WITHOUT PERMISSION IN WRITING FROM THE COMPANY.  
 ALL RIGHTS RESERVED.

- LEGEND**
- ECV - EMERGENCY CONTROL VALVE
  - SSOV - SAFETY SHUT OFF VALVE
  - SV - SERVICE VALVE



**cinobar**  
 8 White St | Kibworth Beauchamp | Leicestershire LE8 0AG  
 E: theoffice@cinobar.co.uk  
 W: www.cinobar.co.uk  
 T: 0115 2786805 M: 07908 732119

CLIENT	A CLIENT	
ADDRESS	A BUILDING AN ADDRESS AN ADDRESS A COUNTY AB12 3CD	
FLOOR	A FLOOR	
PROJECT TITLE	EXAMPLE GAS LINE SCHEMATIC	
SCALE	NTS	DWG
DESIGNED BY	GRW	PROJECT NO.
DRAWN BY	SCH DWG 4	REV.